

Micron's Models MP56 and MP562 are miniature low cost, general use transducers. These transducers are made of corrosive resistant Titanium (6AL4V). They utilize high reliability bulk type semiconductor strain gages bonded directly to the inside surface of the machined diaphragm.

Pressure on the diaphragm is applied through the hole in the nose which is then converted to an electric signal proportional to the pressure.


MP56 and MP562 TRANSDUCER
APPLICATIONS

- Test & Measurement Equipment
- Product Equipment & Controls
- Energy Controls
- Laboratory Instruments & Equipment
- Liquid Level
- Calibration Equipment
- Hydraulic Controls

FEATURES

- Compact size, fitted with 6ft cable.
- Manufactured in Titanium, 6AL4V
- Insensitive to screw down torque.
- Pressure ranges from 50 to 7000 psig.
- Threaded 1/4 NPT or 1/8 NPT.
- Model MP56 Constant Voltage 5 Vdc. Output 100 mVolts.
- Model MP562 Constant Current 4 to 20 mA.

PERFORMANCE OPTIONS (ALL VALUES MAXIMUM)						
		A	B	C	D	Units
Balance (Zero)	MP56	±3.00	±2.00	±2.00	±2.00	mV
Balance (Zero)	MP562	4.00±0.50	4.00±0.30	4.00±0.20	4.00±0.20	mA
Full Scale Sensitivity	MP56	20.0±2.00	20.0±2.00	20.0±2.00	20.0±2.00	mV/V
Full Scale Sensitivity	MP562	20.0±0.50	20.0±0.30	20.0±0.20	20.0±0.20	mA
Static Error Band		±0.50	±0.25	±0.25	±0.25	%FS ^{*BFSL}
Thermal Balance (Zero) Shift		±0.02	±0.02	±0.01	±0.005	%FS/°F
Thermal Sensitivity Shift		±0.02	±0.02	±0.01	±0.005	%FS/°F
Long Term Stability (less than)		±2.00	±2.00	±2.00	±2.00	%FS/year

*BFSL Best Fit Straight Line

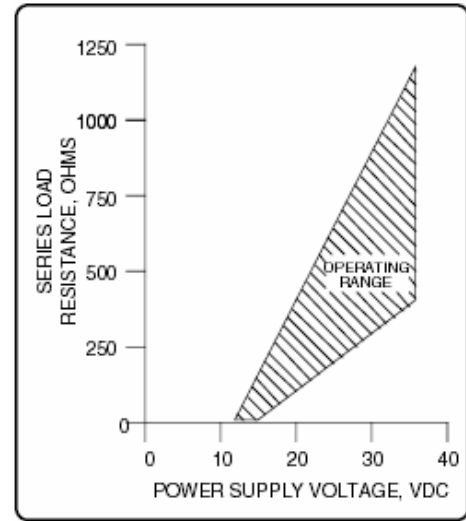
MECHANICAL	
Standard Pressure Ranges	50, 100, 200, 300, 500, 1k, 2k, 3k, 5k, 7k psi Gage
Other ranges possible	Consult Factory
Over Pressure (No change out of spec.)	2.0x Range
Burst Pressure	6.0x Range
Liquids	Compatible with Titanium, 6AL4V.
ENVIRONMENTAL	
Storage and Operating Temperature	0° - 180°F
Compensated Temperature Range	30° - 130°F

MP56 ELECTRICAL PERFORMANCE mV OUTPUT

Excitation	5 Volts Dc. or 10 Volts Dc.
Maximum Voltage	50 V for Short Periods
Input Resistance (Nominal)	1400 ± 400 ohms
Output Resistance (Nominal)	850 ± 200 ohms
Insulation Resistance Minimum	50 M ohms @ 50VDC

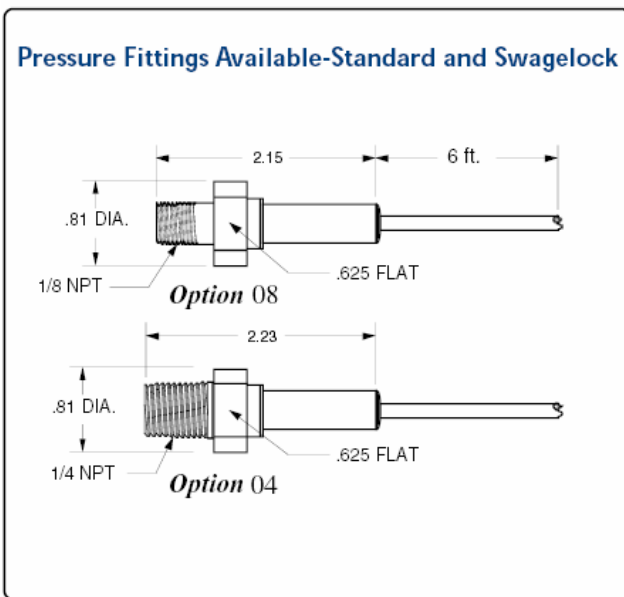
MP562 ELECTRICAL PERFORMANCE 4-20 mA OUTPUT

Excitation	12 to 30 VDC
Load Resistance	500 ohms - standard, see chart
Maximum Input Voltage	32 V for short periods
Insulation Resistance Minimum	50 M ohms @ 50VDC

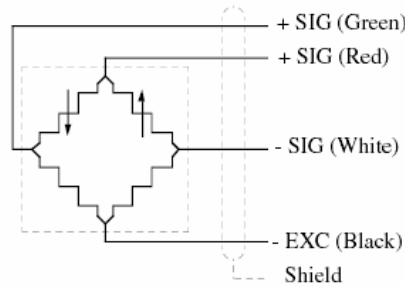


Ordering Guidelines	Example
<div style="display: flex; justify-content: space-around; align-items: center;"> A → B → C → ← D </div>	<div style="display: flex; justify-content: space-around; align-items: center;"> MP 56B → 04 → 500G → ← 12 </div>
A. Model (MP56) or (MP562)	Model MP56B-04-500G-12 is a model MP56 Transducer specified with a B performance spec and a 1/4 NPT male fitting. The pressure range is 500 psi, with a 12ft. Cable.
B. Performance Spec.	
C. Option: 08= 1/8 NPT 04= 1/4 NPT	
D. Pressure Range PSI	
E. Cable Length (other than 6ft.)	

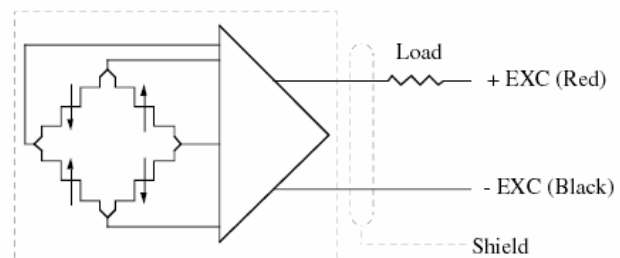
Outline



Schematic mV Output (MP56)



Schematic 4-20 mA Output (MP562)



Issue Date August 2005